

# SYSGUARD 6001 Main Unit

*at a glance,*

SYSGuard 6001, which is the advanced solution of SYSGuard Environment Monitoring and Management Systems, controls system rooms with different sizes. It ensures integration with all equipment connected to the system such as air conditioner, generator and UPS. Also it informs about all details regarding these equipment.

## Monitoring

Temperature, humidity, leakage, air flow, vibration, on/off controls, electricity values, UPS are some of the values that should be monitored and managed in a system room. on/off controls of a cabinet is ensured via proximity and numeric keypads.

## Setting Alarms

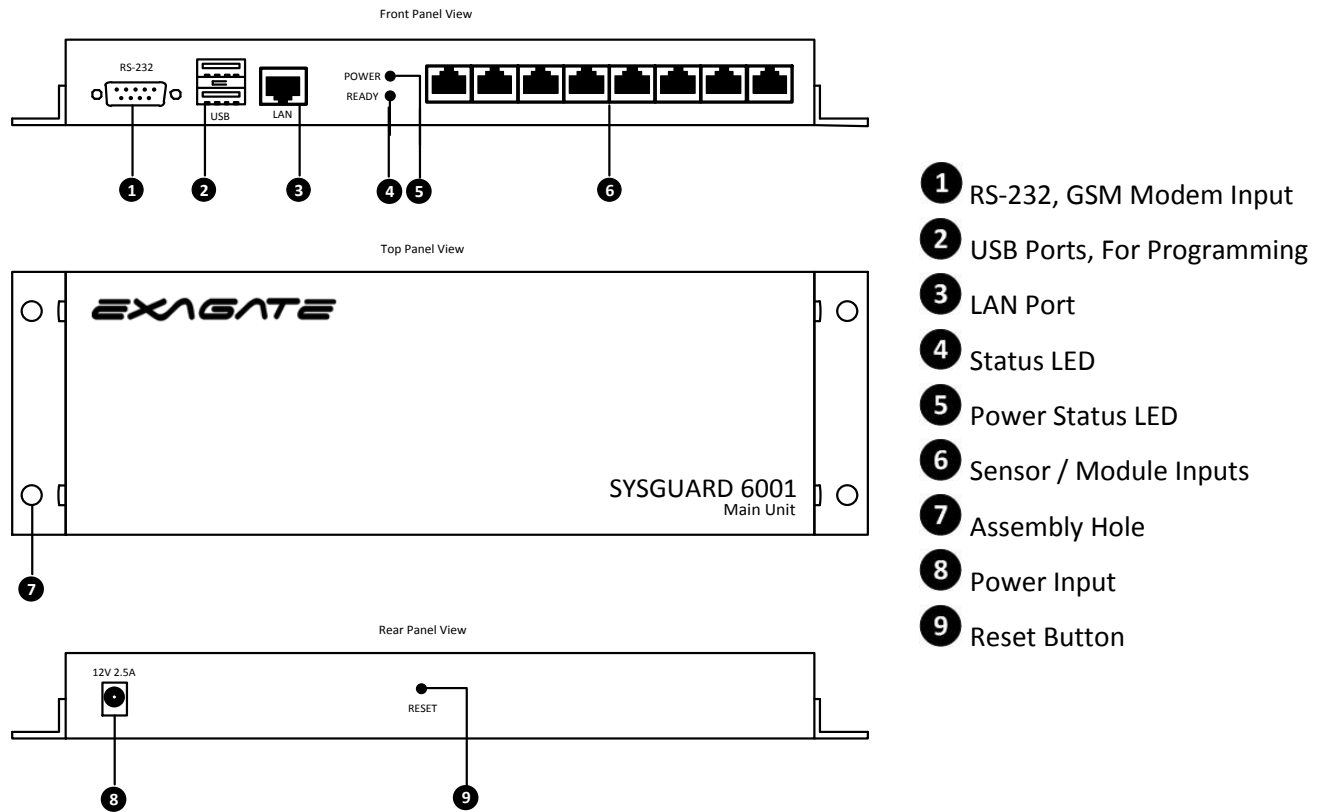
In case any of values monitored are out of minimum-maximum values defined by administrator, system gives alarm and informs predefined employee via either an e-mail, SMS, voice call or sirens

## Management

Received alarms are integrated with the management functions and controlled without causing any remarkable loss.

## Reporting

All monitoring, alarm and management functions in the system are recorded and archive file is generated. An analysis is made retrospectively and IT budgets are controlled accordingly.



- 1 RS-232, GSM Modem Input
- 2 USB Ports, For Programming
- 3 LAN Port
- 4 Status LED
- 5 Power Status LED
- 6 Sensor / Module Inputs
- 7 Assembly Hole
- 8 Power Input
- 9 Reset Button

### Head Office

A: Sehit Ahmet Sokak No:12/1 Mecidiyekoy - Istanbul - Turkey  
 T: +90 212 275 73 22 F: +90 212 275 73 66  
 E: info@exagate.com

### Support

support@exagate.com



### Operational Properties

Power Supply Voltage	10,5 - 14,4 VDC typical 12 VDC
Power Consumption	0,22 - 0,36 A typical 0,24 A 2,64 - 4,62 W typical 2,88 W
Operational Temperature Range	-10 +70 °C
Operational Humidity Range	0 - 85 % Rh
Storage Temperature Range	-40 +85 °C
Storage Humidity Range	0 - 85 % Rh

### Physical Properties

Dimensions (H x W x D)	30 x 310.5 x 104,3 mm 1,18 x 12,22 x 4,10 inches
Color	Black
Weight	500 (+/-5%) grams

### Technical Properties

ExaBus Port	8 Units
External Device Input	8 Units
Power Supply over External Device	Yes
Power Supply over ExaBus Port	No
Supported External Devices	All SYSGuard sensors and modules
RS232 Port	1 Units
USB Port	2 Units

#### Head Office

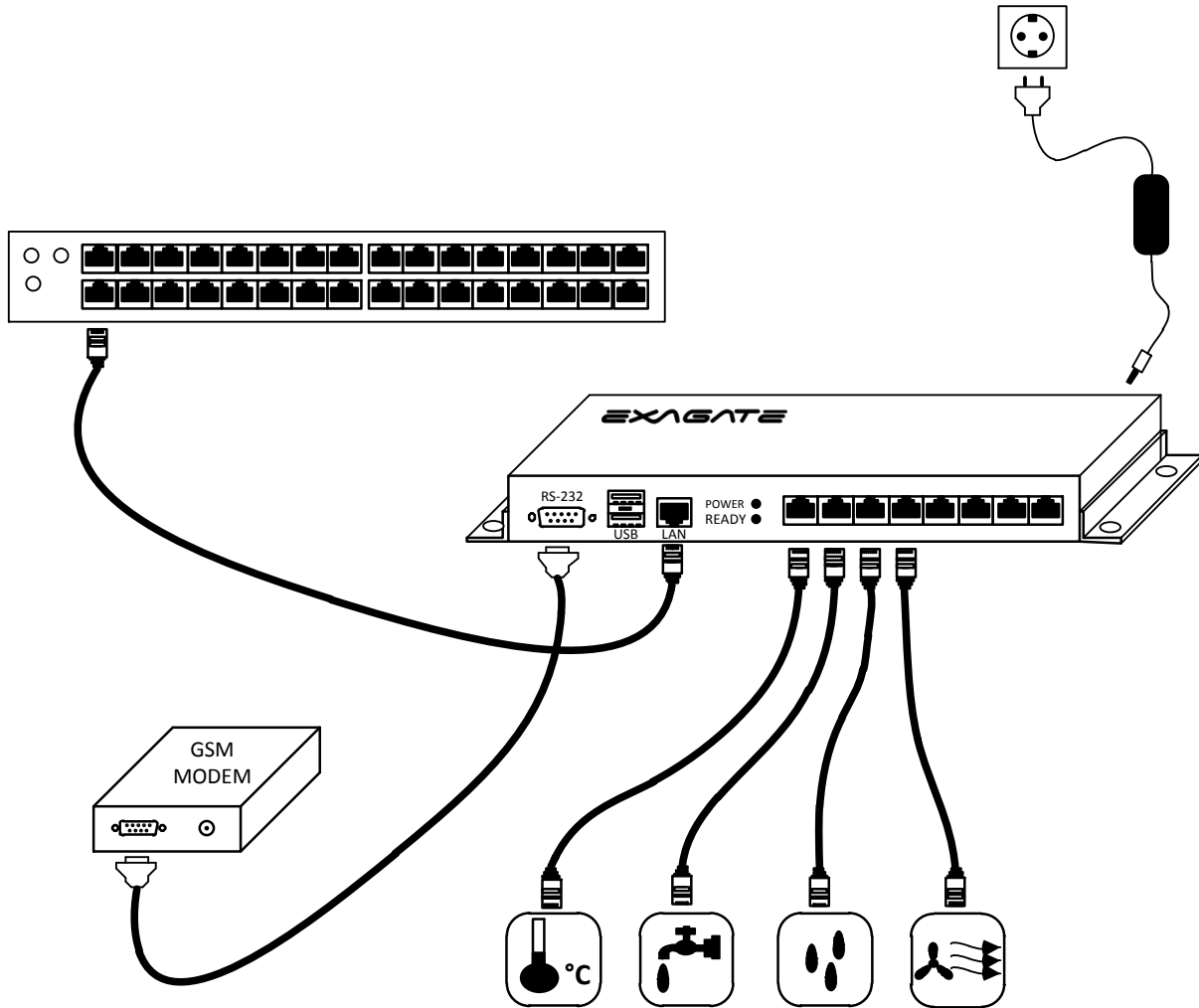
A: Sehit Ahmet Sokak No:12/1 Mecidiyekoy - Istanbul - Turkey  
T: +90 212 275 73 22 F: +90 212 275 73 66  
E: info@exagate.com

#### Support

support@exagate.com



## Sample Connection Diagram



SYSGuard 6001 Main Unit connected to various sensors and GSM Modem.

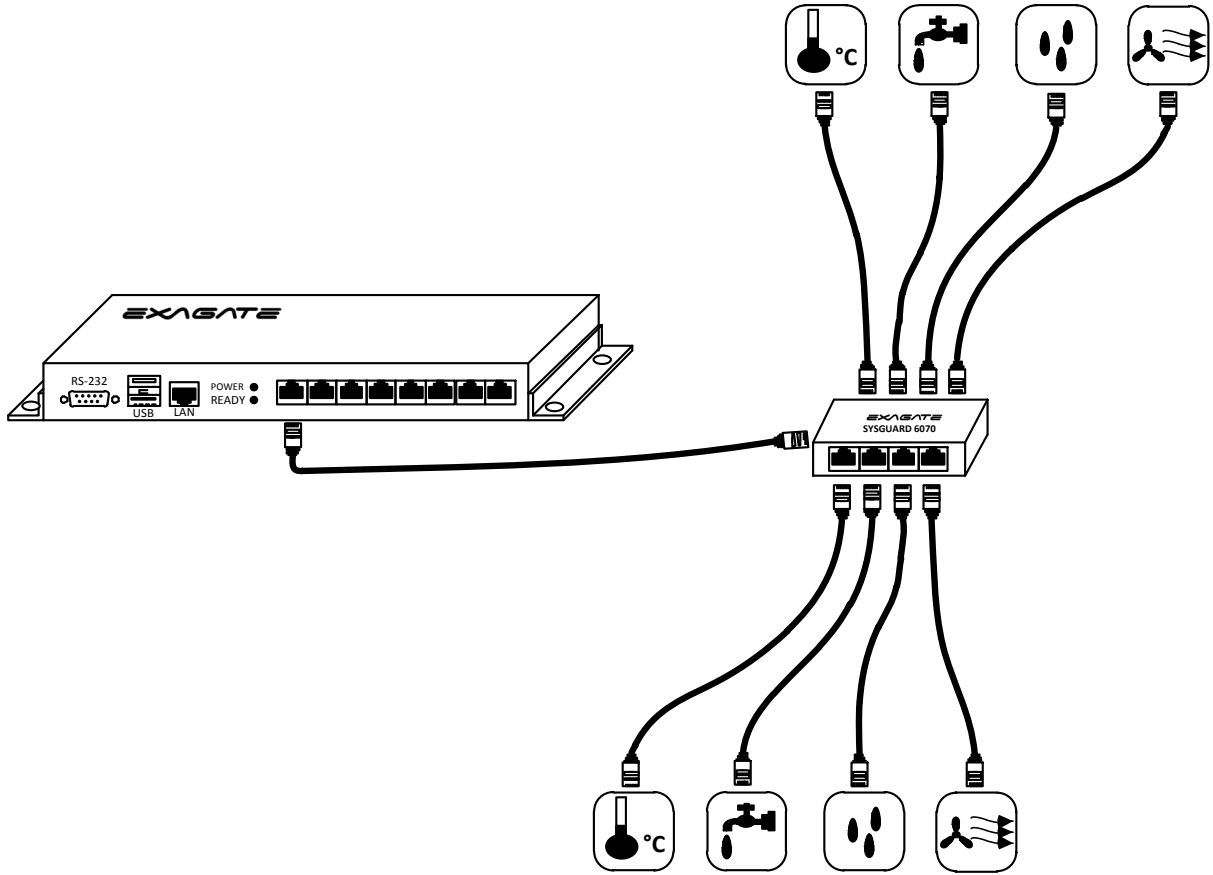
### Head Office

A: Sehit Ahmet Sokak No:12/1 Mecidiyekoy - Istanbul - Turkey  
T: +90 212 275 73 22 F: +90 212 275 73 66  
E: info@exagate.com

### Support

support@exagate.com





SYSGuard 6001 Main Unit with SYSGuard 6070 Expansion Unit.

**Head Office**

A: Sehit Ahmet Sokak No:12/1 Mecidiyekoy - Istanbul - Turkey  
T: +90 212 275 73 22 F: +90 212 275 73 66  
E: info@exagate.com

**Support**

support@exagate.com



PRODUCT SKU #	BARCODE #	P/N	DESCRIPTION
SYSG6001	8699931600155	7270MU12001	Main Unit

## LIMITED PRODUCT WARRANTY

All ExaGate products are covered with 2 years limited guarantee from the date of original purchase. (Warranty duration may change depending on your country) Your sales or delivery receipt, showing the date of purchase of product is your proof of purchase. ExaGate is obliged to repair or replace the defective hardware (or any part of it's) with no charge to owner.

### Conditions Void of Warranty

- Damages on unit, cable or screen.
- Defections due to electrical wiring and/or city network.
- Interference to unit by non-authorized staff.
- Any problems caused by act of nature.
- Misusage of unit stated by the user manual.
- Removal or destruction of serial number, warranty labels.
- Any kind of modifications on unit.

#### Head Office

A: Sehit Ahmet Sokak No:12/1 Mecidiyekoy - Istanbul - Turkey  
T: +90 212 275 73 22 F: +90 212 275 73 66  
E: info@exagate.com

#### Support

support@exagate.com

